

WCM-CO-1309C

- ◆ Specifically designed for enclosed or semi-enclosed car parks.
- ◆ Detects and transmits ambient carbon monoxide levels in real time
- ◆ Long life sensor
- ◆ 1 x analog output linearised
- ◆ BACnet interface
- ◆ Essential component in the ventilation control system.
- ◆ Designed for easy installation and minimum maintenance during operation.
- ◆ The highest performance at the lowest price



Features

- ▶ Wall mounting, CO measuring range of 0~100ppm/ 0~200ppm/ 0~500ppm.
- ▶ Long life electrochemical sensor, long term stability, and high accuracy.
- ▶ CO sensor is environmentally friendly without risk of electrolyte leakage.
- ▶ Simple calibration through interface.
- ▶ Selectable linear analog output 0~10V/4~20mA
- ▶ Built-in Self-Zero Correction algorithm.
- ▶ BACnet communication

Applications

- ▶ Ventilation control in enclosed car parks and garages in residential and commercial buildings.
- ▶ Recreational facilities where a large vehicle movement is present.
- ▶ Kitchen rooms and restaurants
- ▶ Car repair workshops, loading docks and other places where air quality could possibly worsen

Specifications

CO Measurement	
Target Gas	Carbon monoxide
Sensing element	Electrochemical sensor
Gas sample mode	Diffusion
Warm up time	1 hour (cold start)
Response Time	< 60 seconds
Signal refresh rate	1s
CO Measuring Range	0~100ppm (default) 0~200ppm/0~500ppm (selectable)
Accuracy	<±1ppm (at 20±5°C/ 50±20%RH)
Stability	±5% (over 900 days)
Electrical	
Power Supply	24VAC/VDC
Consumption	1.5 W
Wiring connections	Screw terminal block
Outputs	
Analog output	1 x 0~10VDC/4~20Ma selectable in order (Linearised)
D/A resolution	16 bit
D/A conversion accuracy	0.1ppm
BACnet Communication interface	Modbus RS485 interface 9600/14400/19200(default), 28800 bps, 38400 bps (programmable selection), 15KV antistatic protection
General Performance	
Operation temperature	0~60°C
Operation humidity	5~99%RH, non condensing
Storage conditions	0~50°C
Net Weight	190g
Dimensions	100mm×80mm×28mm
Installation standard	65mm×65mm or 2"×4" junking box
Housing and IP class	PC/ABS fireproof plastic material, protection class: IP30
Compliance	EMC Directive 89/336/EEC

BACnet CO Detector

Carpark spec



Technical
Data Sheet

Model selection

Model	Description
WCM-CO-1309C-00X	Carbon monoxide transmitter with BACnet MSTP communication interface

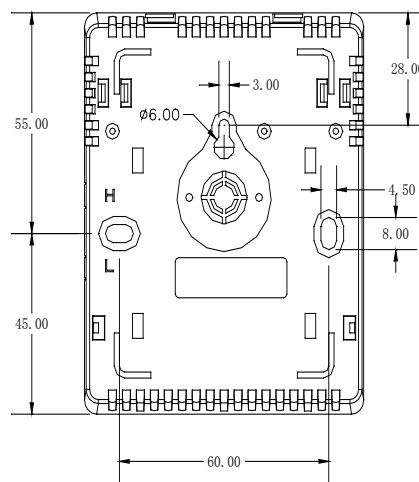
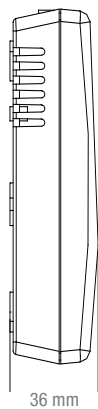
CO range (suffix):

001: 0~100ppm (default)

002: 0~200ppm

005: 0~500ppm

Dimensions and mounting



Wiring Diagram

