

PULLKEY SAFETY SWITCH

CONVEYOR SYSTEMS

Applications

The Ampcontrol designed and manufactured Pullkey Safety Switch provides a reliable means of conveyor emergency stop control for all types of material handling applications even under the most demanding conditions.

The Pullkey Safety Switch is constructed from powder coated stainless steel that provides a corrosion resistant and robust finish requiring little maintenance. The unit has an ingress protection rating of IP66 (dustproof and protection from strong jets of water).



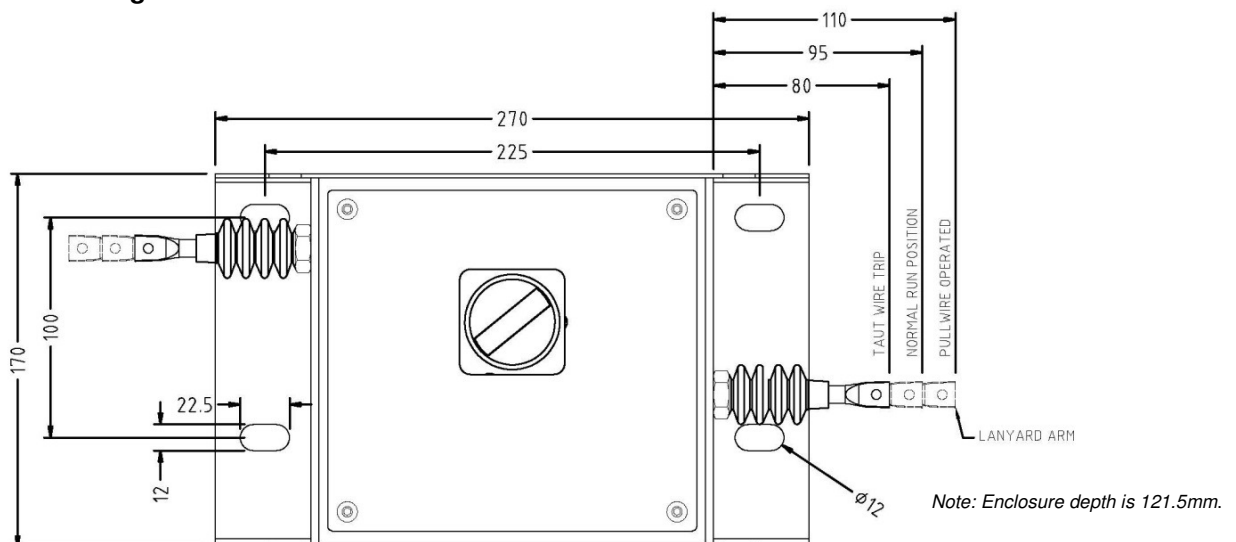
The pullkey emergency stop function can be operated manually by rotating the red STOP/RUN control switch or by operation of either pullwire/lanyard arm. The pullkey is available in either taut wire or slack wire configurations for use in tensioned or non-tensioned lanyard systems respectively.

Our standard range of pullkeys contain only switch contacts and are suitable for simple series connected emergency stop systems. Our recommended iMAC range of pullkeys incorporate Ampcontrol's proprietary iMAC (Integrated Monitoring and Control) system which provides sophisticated emergency stop monitoring, status/diagnostic LED indication and optional remote isolation functions.

Features

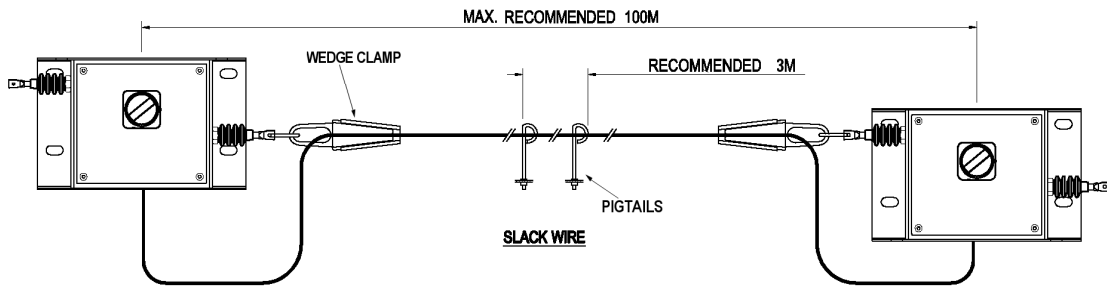
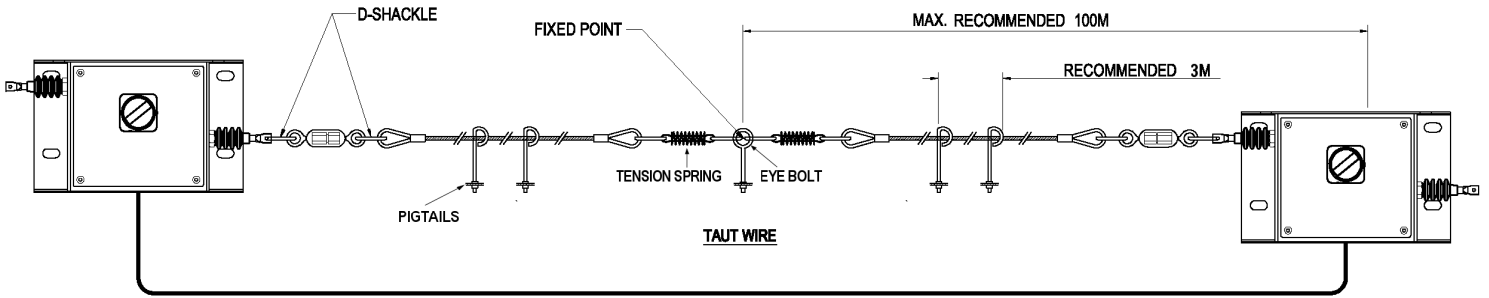
- Emergency stop and latching (manual reset) complies with conveyor code AS 1755.
- Robust stainless steel construction ideal for corrosive environments.
- Fully enclosed pullkey mechanism ensures function reliability, certified IP66.
- Suitable for either taut wire (tensioned) or slack wire (non-tensioned) lanyard systems
- iMAC integration for emergency stop monitoring, status/diagnostic LED indication and optional remote isolation functions.
- Functional tested to 40,000 operations (long service life).
- Gold plated switch contacts ensure superior switching reliability.
- Plug and socket or glanded cable entry options.
- Wide operating temperature range of -20°C to +50°C for harsh industrial environments.

General Arrangement



Version No: 4	Doc No: / Name: PKB001 Technical Datasheet Pullkey Safety Switch				
Status: Approved	30.05.2014	Author / SME Prepared by:	Tech. Doc. Officer	Approval by Process Owner:	2.2.7 Process Owner
Refer to Ampcontrol Intranet for latest version					Page 1 of 3

Typical System Configurations



Ordering Information

Pullkeys

Standard Pullkeys

Part Number	Description
101540	PK TW STD OPT2 GLND LBRB#
111123	PK TW STD OPT1 GLND LBRB#
115571	PK TW STD OPT1 GLND LBRB#
115578	PK SW STD OPT2 GLND LBRB#



Standard Pullkey (P/N 101540 shown)

iMAC Pullkeys

Part Number	Description
106016	PK SW 2W+DI4 OPT2 GLND LBRB# IECEX
115572	PK TW 3W+IIM V2 OPT2 GLND LBRB# IECEX
115579	PK SW 3W+IIM V2 OPT2 GLND LBRB# IECEX
115637	PK SW 3W+IIM V2 OPT4 AMPH RBLB IECEX
115638	PK SW 3W+IIM V2 OPT4 AMPH RBLB IECEX
115673	PK SW 3W+IIM+LPU V2 OPT2 GLND LBRB#
115709	PK SW 3W+DI4 OPT4 AMPH M/F LBRB IECEX
141214	PK SW 3W+2xDI4 OPT7 AMPH LBRB IECEX
157486	PK SW 3W+IIM V2 OPT6 BULG RBLB IECEX
157823	PK SW 3W+DI4 OPT7 AMPH LBRB IECEX
161070	PK SW 3W+IIM V2 OPT4 AMPH M/F LBRB IECEX
161457	PK SW 3W+IIM V2 STATUS OPT7 GLND LBRB# IECEX
161521	PK SW 3W+IIM V2 STATUS OPT2 GLND LBRB# IECEX
161966	PK TW 3W+DI4+LPU OPT7 GLND LBRB#
163962	PK TW 3W+IIM V2 STATUS OPT8 GLND LBRB# IECEX



iMAC Pullkey (P/N 115572 shown)

iMAC Remote Isolation Pullkeys	
Part Number	Description
115573	PK TW 3W+IIM V2 RIS OPT2 GLND LBRB IECEX
115574	PK TW 3W+IIM+LPU V2 RIS OPT7 GLND LBRB
115581	PK SW 3W+IIM V2 RIS OPT2 GLND LBRB IECEX
115631	PK SW 3W+IIM V2 RIS OPT4 AMPH RBLB IECEX
115632	PK SW 3W+IIM V2 RIS OPT4 AMPH RBLB IECEX
115633	PK SW 3W+IIM V2 RIS OPT4 AMPH LBRB IECEX
115695	PK SW 3W+IIM V2 RIS OPT4 AMPH LBRB IECEX
115708	PK SW 3W+IIM V2 RIS OPT6 BULG LBRB IECEX
115712	PK SW 3W+IIM V2 RIS OPT6 BULG LBRB IECEX
159242	PK SW 3W+IIM V2 RIS OPT4 AMPH LBRB IECEX

**iMAC Remote Isolation Pullkey
(P/N 115573 shown)**

Accessories	
Taut Wire Systems	
Part Number	Description
168159	CABLE PULLWIRE VECTRAN
168133	SHACKLE D M5 S/S 316
168128	TURNBUCKLE EYE/EYE M6 S/S 316
168130	THIMBLE M5 S/S 304
168131	GRIP WIRE ROPE M5 S/S 316
159614	SUPPORT P/CABLE LANYARD PIGTAIL
168132	SPRING LANYARD TENSION TYPE A
168129	BOLT EYE M10X120MM S/S 304

Slack Wire Systems	
Part Number	Description
144957	CABLE PULLWIRE 3x1.5MM2 CU SCR N LS0H RED SHEATH
120841	CABLE PULLWIRE 4x1.5MM2 RED SHEATH
159596	CLAMP PULLWIRE WEDGECLAMP
159614	SUPPORT P/CABLE LANYARD PIGTAIL