

WCM-CO-CPOX series

- ◆ Specifically designed for enclosed or semi-enclosed car parks.
- ◆ Detects and transmits ambient carbon monoxide levels in real time
- ◆ Long life sensor
- ◆ Rugged enclosure
- ◆ 1 x linearised analog output or Modbus RS485 interface
- ◆ Essential component in the ventilation control system.
- ◆ Designed for easy installation and minimum maintenance during operation.
- ◆ Highest performance at the lowest price



Features

- ▶ Wall or pipe mountable
- ▶ Long life electrochemical sensor, long term stability, and high accuracy.
- ▶ Environmentally friendly sensor without any risk of electrolyte leakage.
- ▶ Simple user calibration
- ▶ Addressable or analog output (4~20mA)
- ▶ Modbus RS-485 communication with user selectable Modbus address

Application

- ▶ Ventilation control in enclosed car parks and garages in residential and commercial buildings.
- ▶ Recreational facilities where a large vehicle movement is present.
- ▶ Kitchen rooms and restaurants
- ▶ Car repair workshops, loading docks and other places where air quality could possibly worsen due to vehicle emissions

CO Detector - Car Park

Modbus RS485



Technical
Data Sheet

Specifications

CO Measurement	
Target Gas	Carbon monoxide
Sensing element	Electrochemical sensor
Gas sample mode	Diffusion
Warm up time	1 hour (cold start)
Response Time	< 60 seconds
Signal refresh rate	1s
CO Measuring Range	0~150ppm(default) 0~500ppm or 0~1,000 ppm (selectable at the time of ordering)
Accuracy	<±1ppm (at 20±5°C/ 50±20%RH)
Stability	±5% (over 900 days)
Electrical	
Power Supply	24VDC ±25%
Consumption	2 W
Wiring connections	Screw terminal block
Outputs	
Analog output	1x4~20mA linear OR Modbus serial RS485 select when placing order
D/A resolution	16 bit
D/A conversion accuracy	0.1ppm
Modbus RS485 Communication interface	Modbus RS485 interface 9600/14400/19200(default), 28800 bps, 38400 bps (programmable)
General Performance	
Operation temperature	0-60°C
Operation humidity	5-99%RH, non condensing
Storage conditions	0-50°C
Net Weight	500g
Dimensions	165mm (L) × 118mm (W) × 62mm (H)
Installation method	Wall mount or pipe mount (using pipe mounting kit sold separately)
Housing and IP rating	PC/ABS fireproof plastic material, protection class: IP65

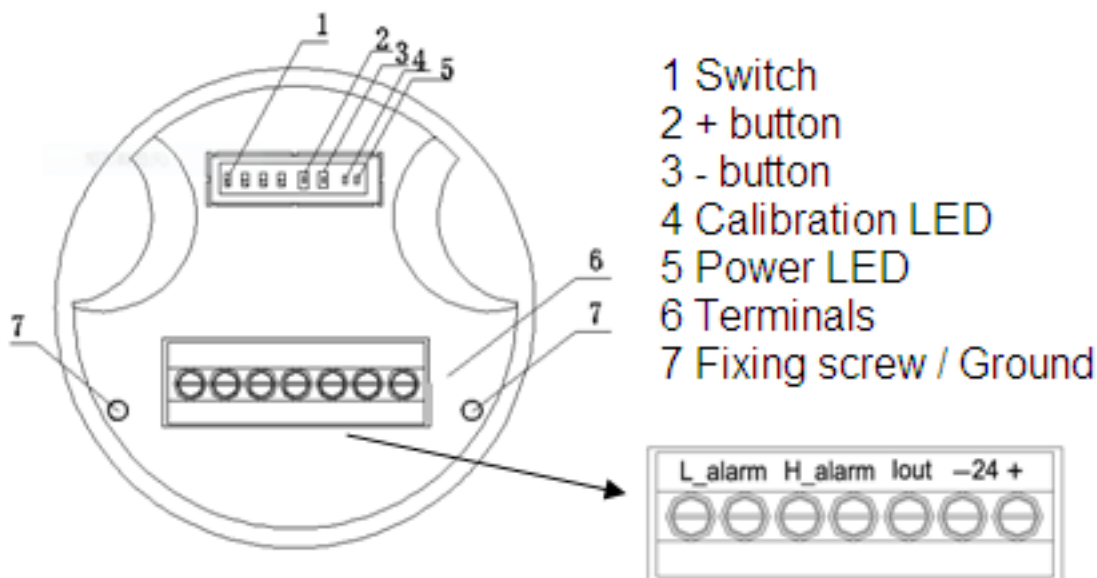
CO Detector - Car Park

Modbus RS485

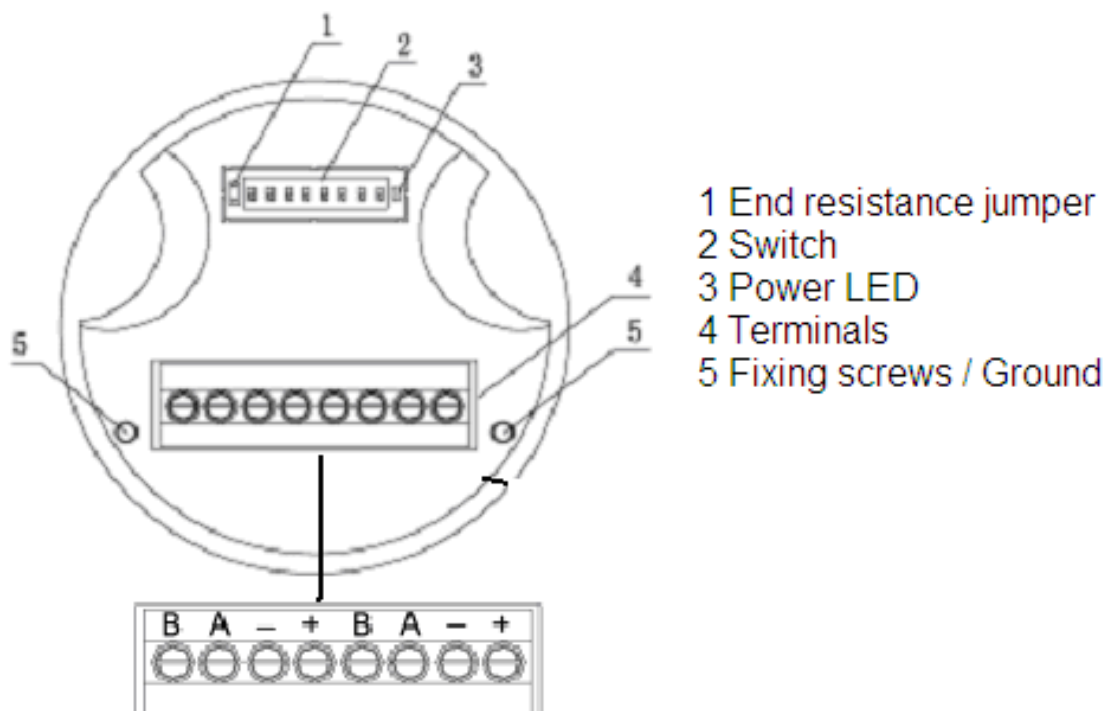


Technical
Data Sheet

Wiring Diagram



Wiring: 4 - 20mA output



Wiring: RS485 output

CO Detector - Car Park

Modbus RS485



Technical
Data Sheet

Model selection

MODEL	DESCRIPTION
WCM-CO-CP01-XXX	Carbon monoxide transmitter with Modbus RS485 communication interface
WCM-CO-CP02-XXX	Carbon monoxide transmitter with one 4~20mA output.

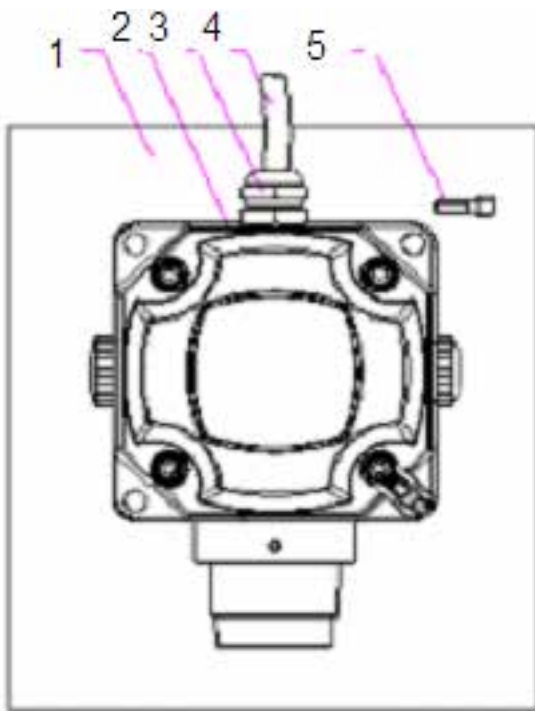
CO range (suffix):

001: 0~150ppm (default)

002: 0~500ppm

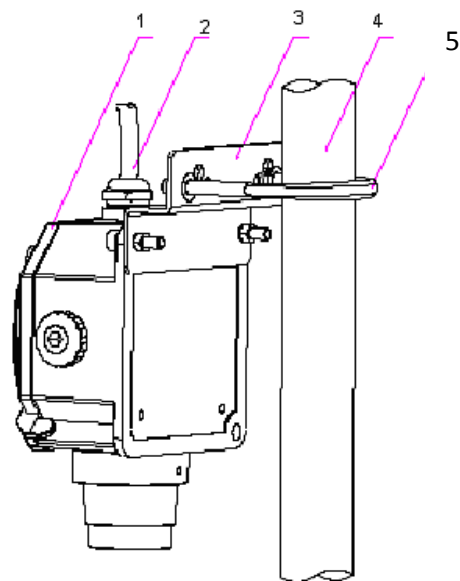
005: 0~1,000ppm

Mounting



Method 1: Wall mounting

1. Wall
2. Detector
3. Locknut
4. Cable entry
5. Mounting screw/bolt



Method 2: Pipe mounting

1. Detector
2. Cable entry
3. Mounting bracket
4. Pipe
5. Fixing U-bolt